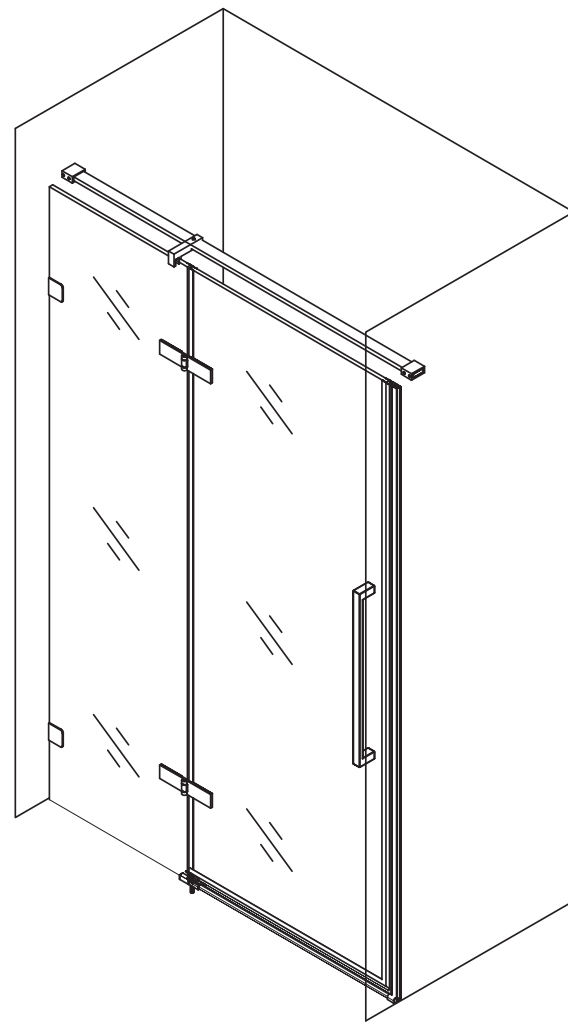


INSTALLATION MANUAL

SHOWER DOOR

HINGED FRAMELESS



MODELS:

SDH1-24
SDH1-42
SDH1-48
SDH1-60

MODEL# SDH1



READ ALL INSTRUCTIONS BEFORE UNPACKING THE PRODUCT



INSTRUCTIONS THAT, IF IGNORED, COULD RESULT IN DEATH OR SERIOUS INJURY CAUSED BY INCORRECT HANDLING OR INSTALLATION OF THE PRODUCT. THESE INSTRUCTIONS MUST BE OBSERVED FOR SAFE INSTALLATION.

ATTENTION!



2 PEOPLE ARE REQUIRED TO LIFT AND DURING ENTIRE INSTALLATION OF THIS PRODUCT



INSTALLATION OF THIS PRODUCT BY AN INEXPERIENCED INSTALLER MAY RESULT IN PERSONAL INJURY OR DEATH!



- We reserves the right to change, update, modify, alter, redesign this manual/product or its policies without prior notice!
- It is your responsibility to visit the website to download or contact customer service for the most updated version of the installation instructions.
- We shall not be liable for any injuries or property damages in connection with this product during installation or use of this product!

NOTES:

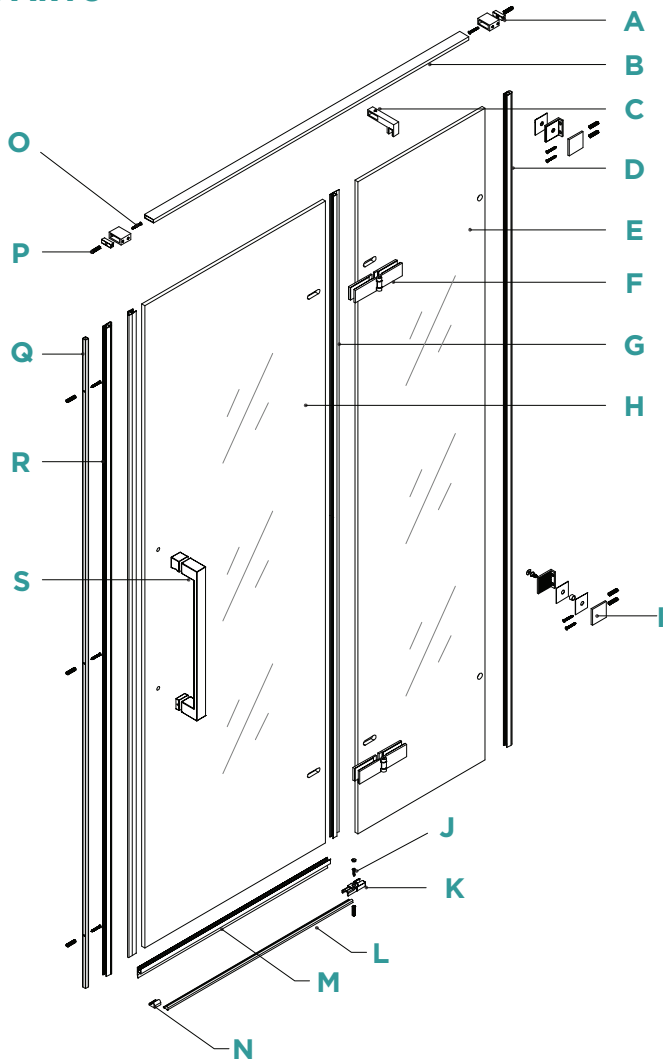
- Limited warranty is void on any commercial installation.
- We are not responsible for local code compliance for this product.
- Building and plumbing codes may vary from state-to-state in accordance to your location.
- We are not responsible for providing any compliance certifications.
- We are not responsible to provide any type of certifications for this product.
- Under no circumstances we shall not be liable for any and all incidental damages sustained in connection with this product Neither manufacture, nor distributor, nor retailer is responsible for water damage or flood caused due to use of this product.
- Under no circumstances We shall not be liable for any and all fees, cost defect. of installation/re-installation/removal, subsequent damage or transportation in case of the product defect.

ATTENTION:

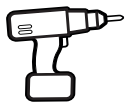
- Always rest glass on a leveled surface.
- The glass panels are tempered and cannot be cut.
- Fiberglass, acrylic or sheetrock construction might not be sufficiently strong enough to support the shower door enclosure. You should use the wood framing from behind the face edge of the stall to provide a secure mounting to the door. Apply a bead of silicone between the walls and base of the stall.
- For optimum performance, you should install the shower door perfectly level on a level surface.
- By not leveling the unit during construction the unit may leak causing possible water damage.



PARTS



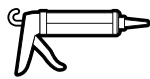
REQUIRED TOOLS



DRILL



LEVEL



SILICON GUN



MEASURE TAPE



FLAT SCREWDRIVER



Ø6 DRILL BIT



PENCIL



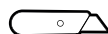
PHILLIPS SCREWDRIVER



Ø8 DRILL BIT



ALLEN KEY



UTILITY KNIFE

COMPONENTS AND HARDWARE

During unpacking the product and prior to installation inspect your new product for any damages or missing parts. Do not attempt to install or operate the product if the product is damaged.

Part A		2 Pieces	Wall Bracket
Part B		1 Piece	Support Rail
Part C		1 Piece	Rail Connector
Part D		1 Piece	Seal Strip
Part E		1 Piece	Glass Panel
Part F		2 Pieces	Door Hinges
Part G		1 Piece	Seal Strip
Part H		1 Piece	Glass Door
Part I		2 Pieces	Wall Bracket
Part J		1 Piece	ST4 x 20 Screw
Part K		1 Piece	Bottom Hinge
Part L		4 Pieces	Bottom Threshold
Part M		1 Piece	Seal Strip
Part N		1 Piece	Threshold Clip
Part O		9 Pieces	ST4 x 40 Screw
Part P		10 Pieces	Plastic Anchor
Part Q		1 Piece	Door Seal
Part R		2 Pieces	Seal Strip
Part S		1 Piece	Door Handle



1

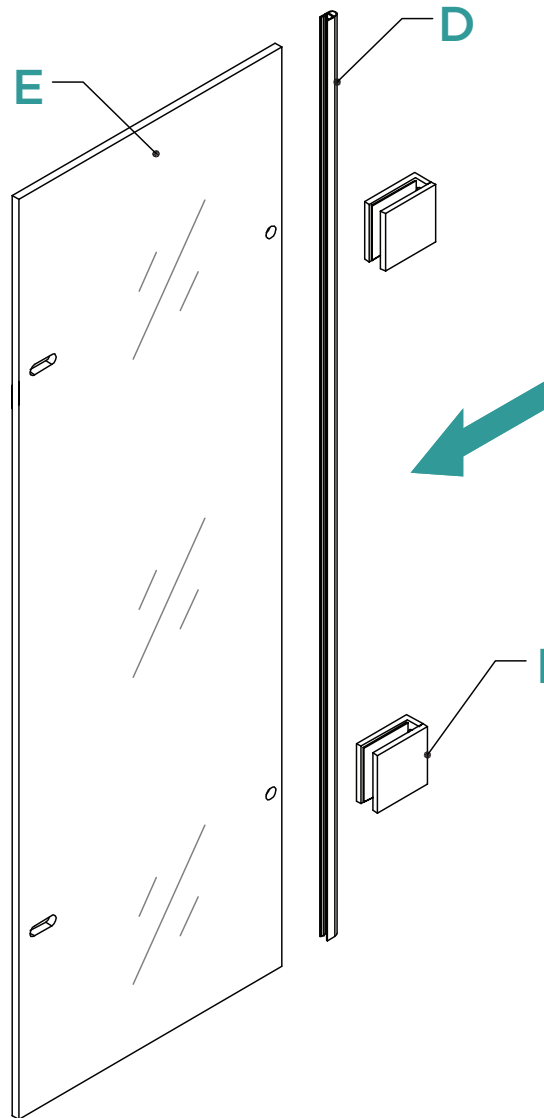
PREPARING THE FIXED GLASS PANEL

1.1

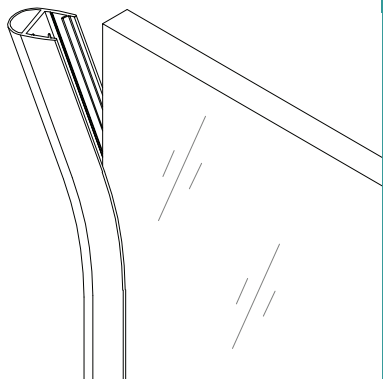
Attach the plastic seal (D) to one side of the fixed glass panel (E), as shown.

1.2

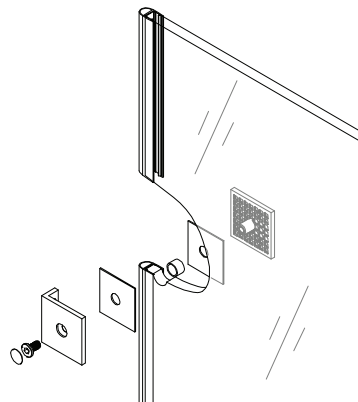
Attach the door joints (I) to the seal, using screws included in the door joints.



1.1



1.2





2

ATTACHING THE FIXED GLASS PANEL

2.1

Use a pencil to mark the screw points in the fixed panel.

2.2

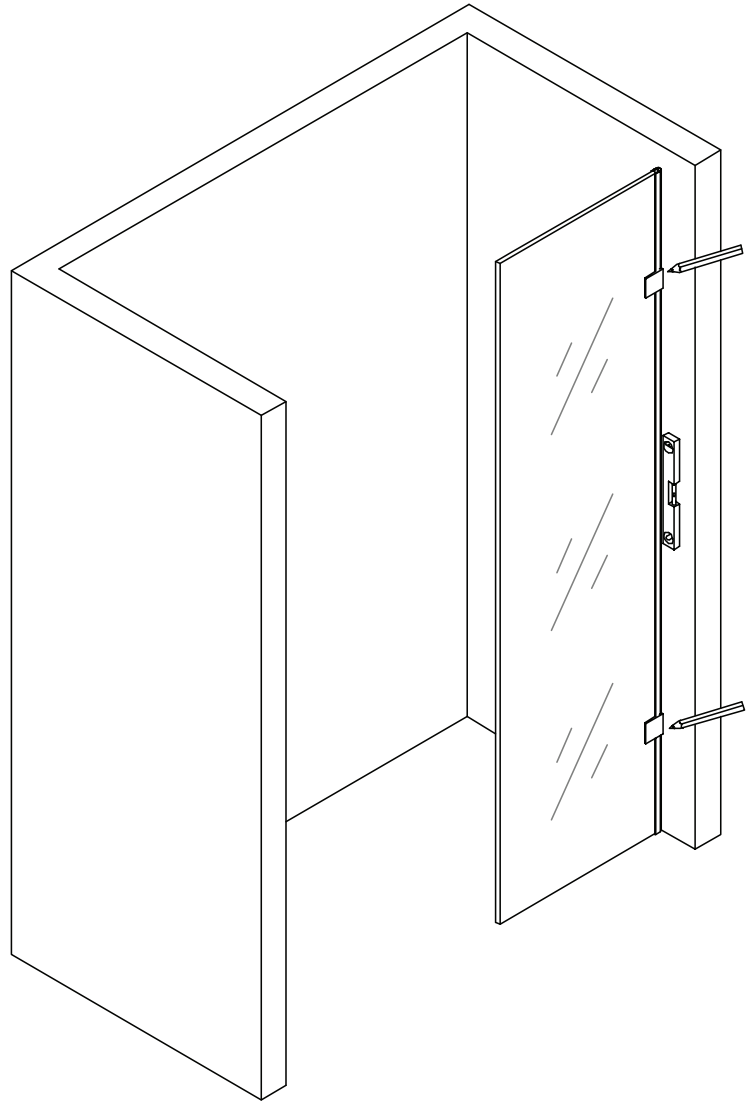
Use a size 6 drill bit to drill holes at the marked points. Insert the wall anchors (P) at the drilled points.

2.3

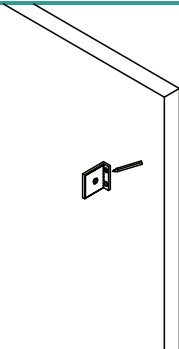
Use screw (O) to attach wall joints (I) to the wall.

2.4

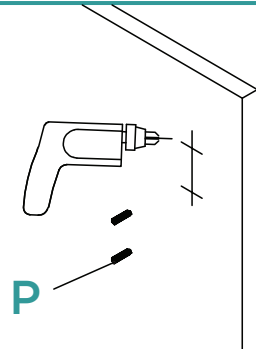
Attach the fixed glass panel to the wall by using the set screws included with, as shown in the image below.



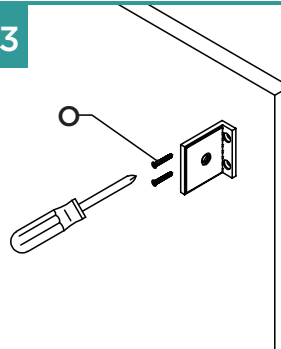
2.1



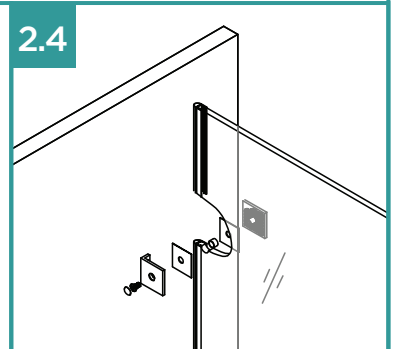
2.2



2.3



2.4





3

ATTACHING THE SLIDE BAR TO THE WALL

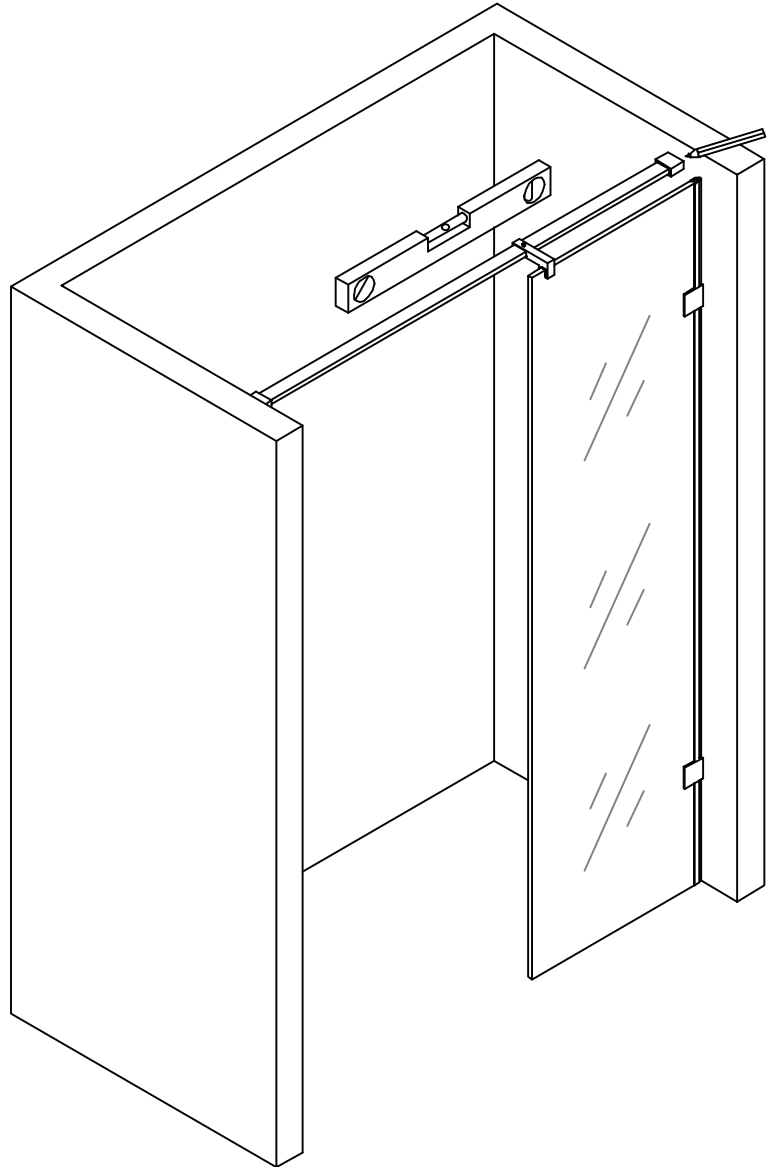
3.1
Assemble the parts of the slide bar (A, B, C), as shown in the diagram below.

3.2
Use a pencil to mark the points on both sides where the slide bar will be attached to the wall.

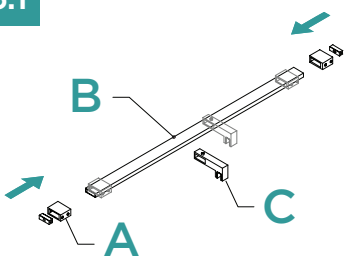
3.3
Use a size 6 drill bit to drill holes at the marked points. Insert wall anchor (P) into hole.

3.4
Insert screws (O) into the wall, press the slide bar (B) against it.

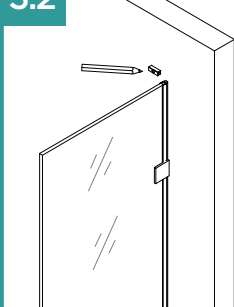
3.5
Secure with the Allen key.



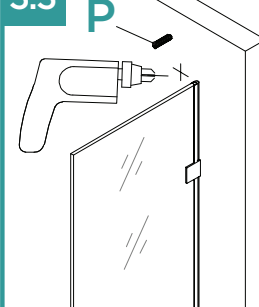
3.1



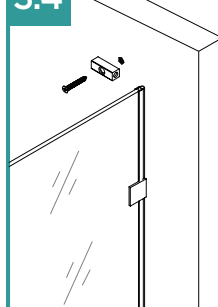
3.2



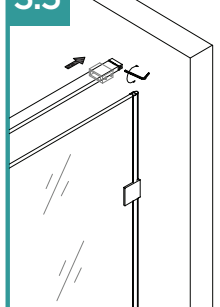
3.3



3.4



3.5

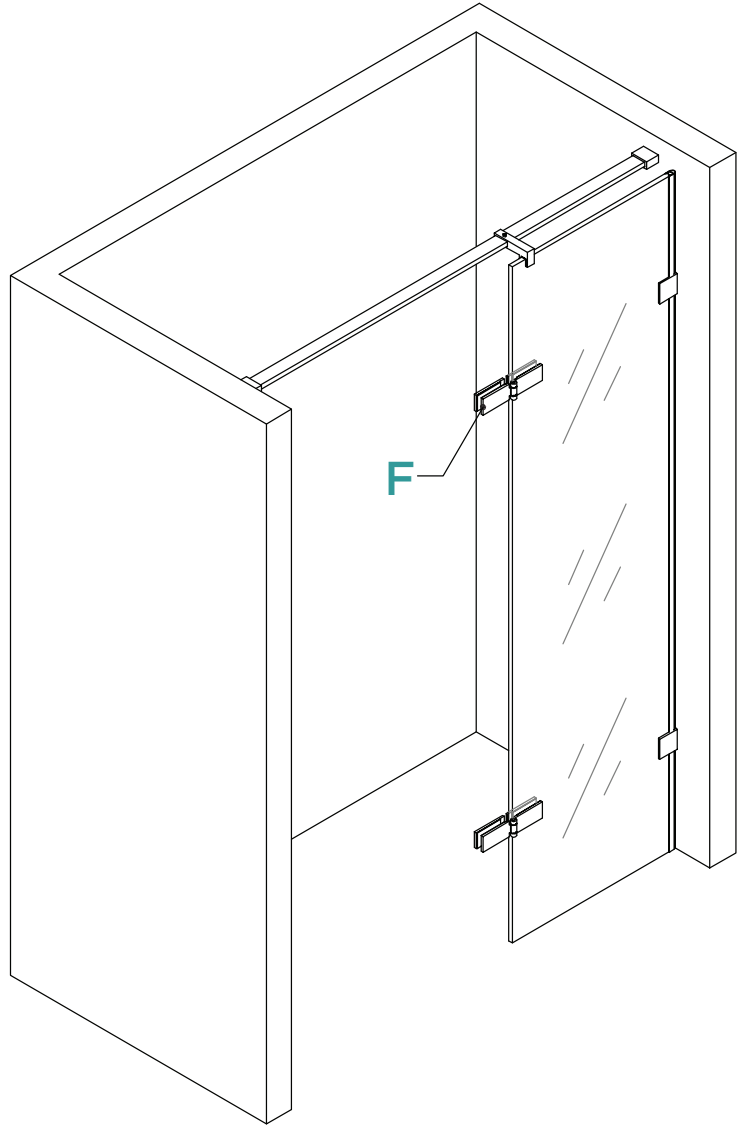




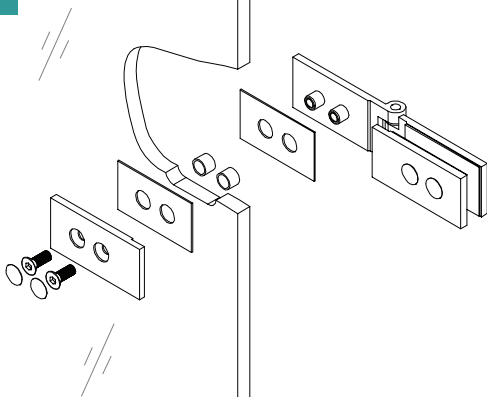
4

ATTACHING THE GLASS DOOR JOINTS

4.1
Attach the door hinge joints (F) to the fixed glass pane, using the screws provided with the hinge joints.



4.1





5

ATTACHING THE GLASS-TO-GLASS HINGE

5.1

Use a pencil to mark the points in each glass pane where the screws for the bottom hinge (K) will be drilled.

5.2

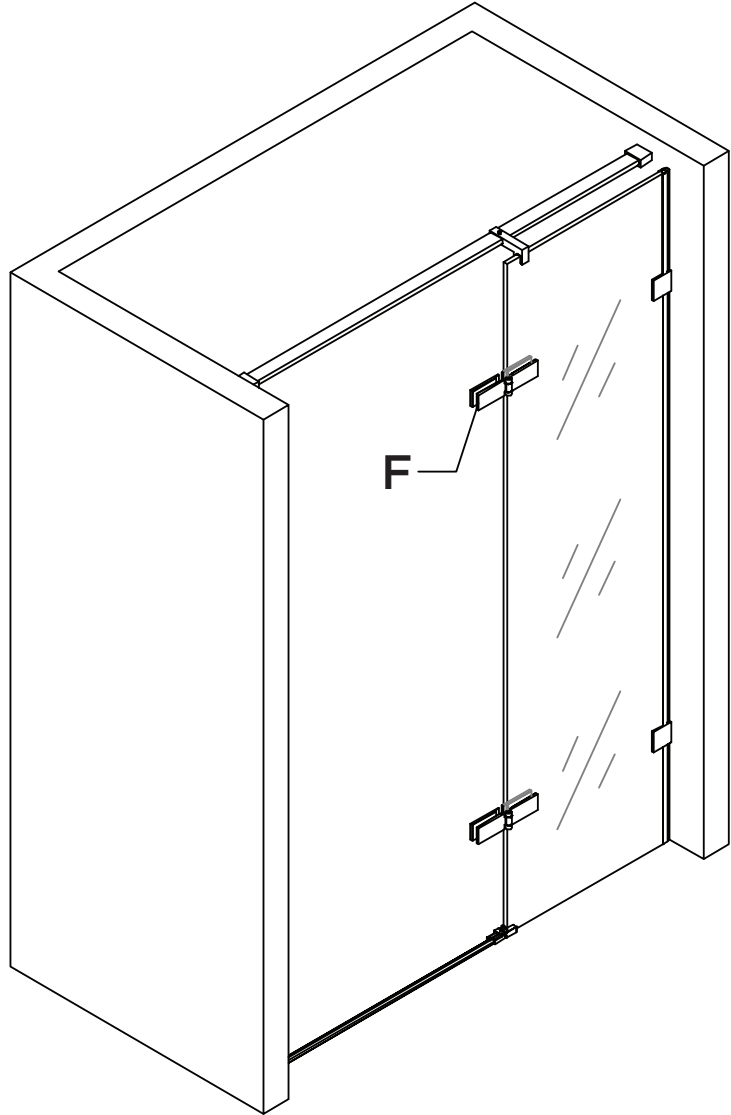
Use a size 6 drill bit to drill holes to insert the screws at the marked points.

5.3

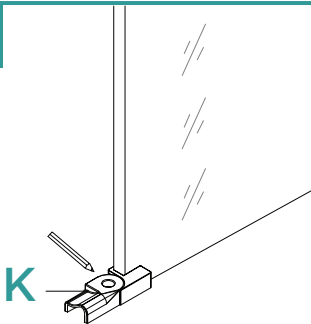
Insert the wall anchors (P) into the drilled holes in the floor.

5.4

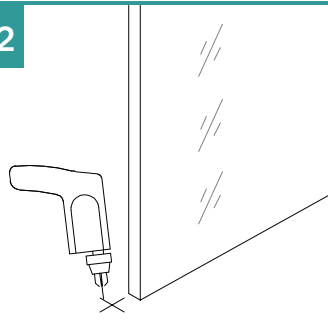
Use screw (J) to attach the glass-to-glass bottom hinge (K) to the fixed panel, on top of threshold (L). Secure it with threshold clip (N).



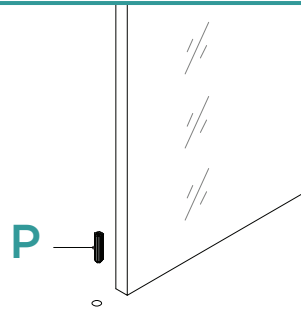
5.1



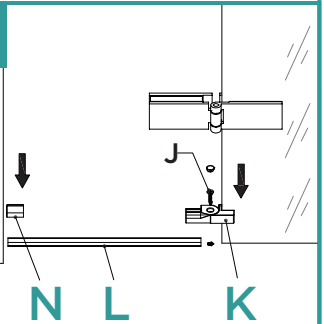
5.2



5.3



5.4



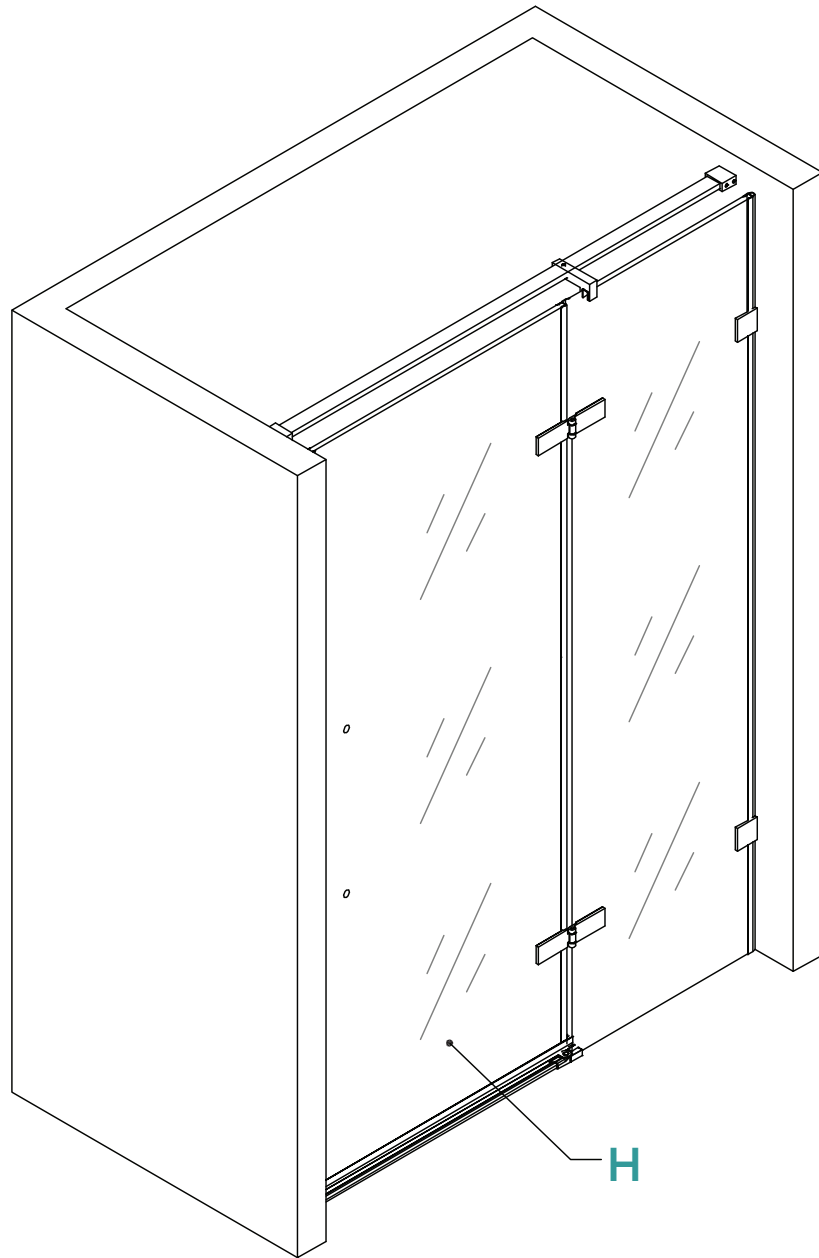


6

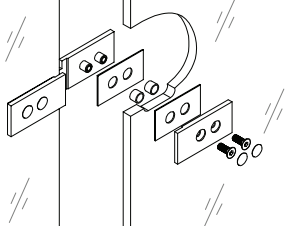
ATTACHING THE GLASS DOOR TO THE FIXED PANEL

6.1

Attach the glass door panel (H) to the fixed panel (E) using Door Hinge (F) secured with screws included with hinge.



6.1





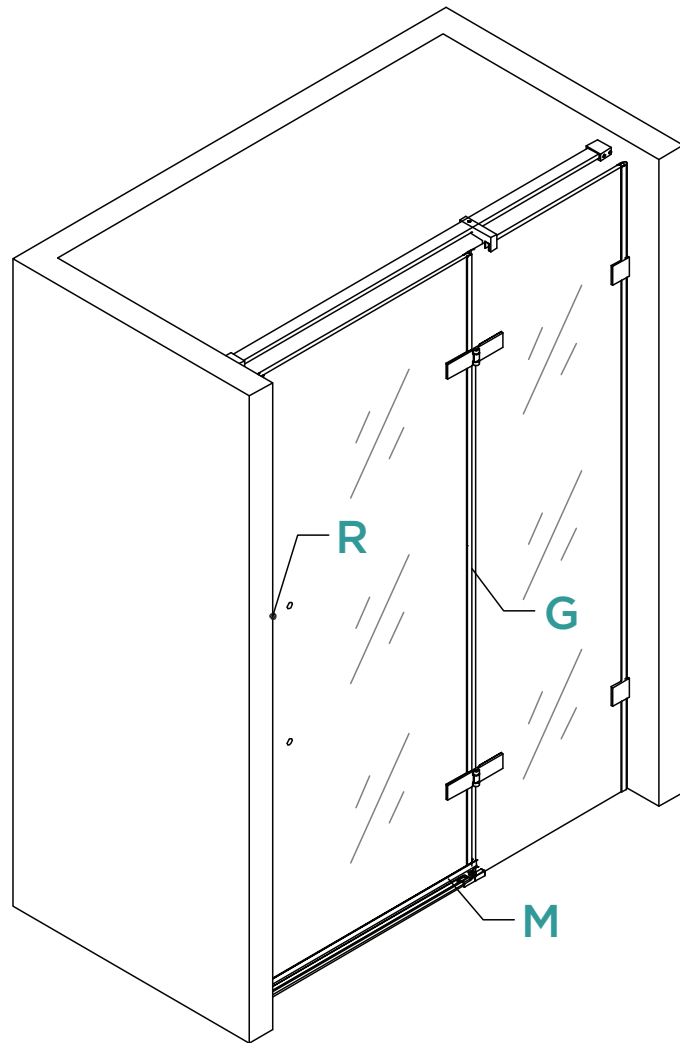
7

COMPLETING THE DOOR

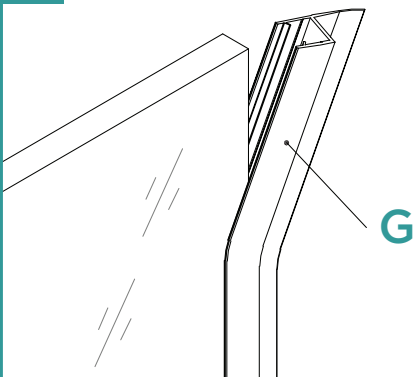
7.1
Attach the plastic seal (G) to hinge side of glass door panel by pressing them into place.

7.2
Attach the plastic seal (R) to the handle side of the door by pressing them into place.

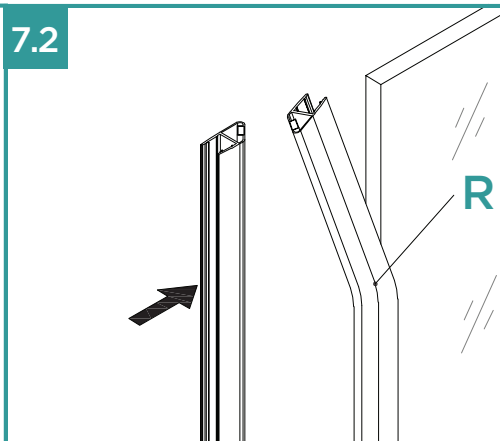
7.3
Attach the plastic seal (M) to the bottom side of the door by pressing them into place.



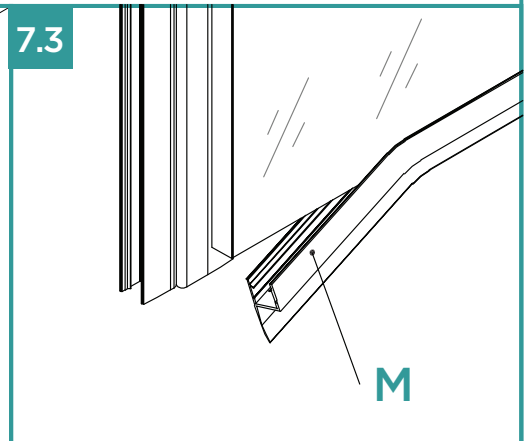
7.1



7.2



7.3

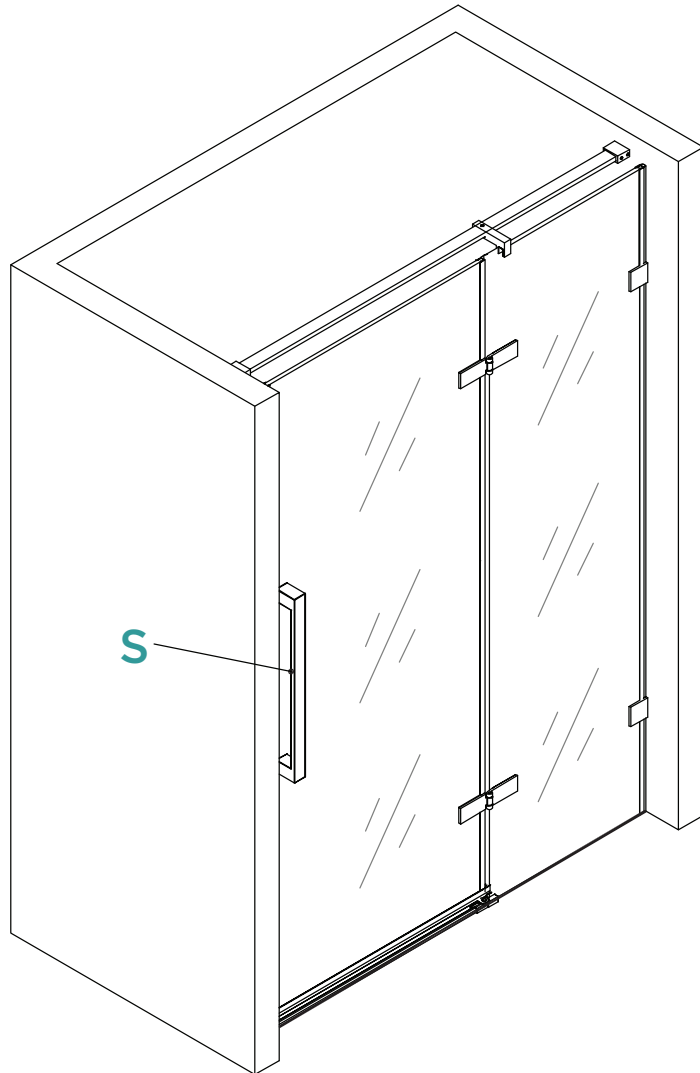




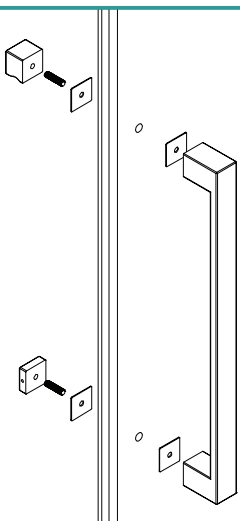
8

ASSEMBLING THE DOOR HANDLE

8.1
Attach the door handle using screws included with the handle.



8.1

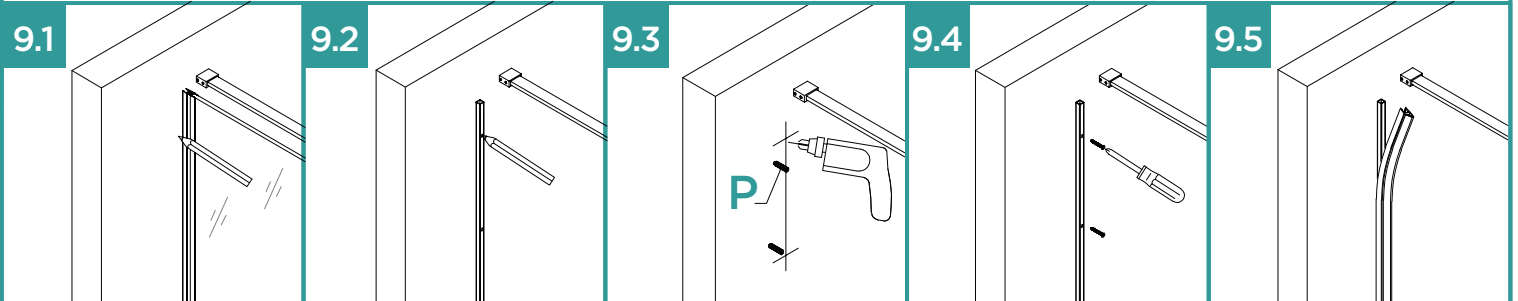
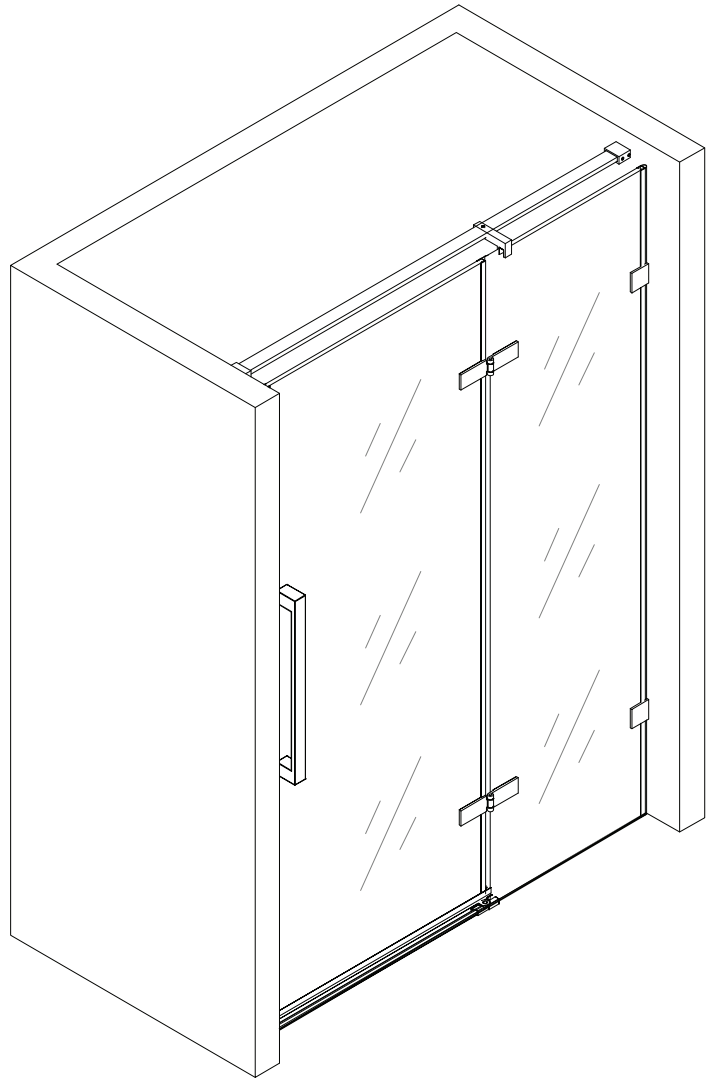




9

ATTACHING THE DOOR HANDLE SEAL

- 9.1 Use a pencil to trace the length of the door seal (Q) on the glass.
- 9.2 Mark two points for the screws (O).
- 9.3 Using a drill and size 6 drill bit, drill two holes at marked point then insert the wall plugs (P).
- 9.4 Then, insert screws (O) at those same points, using a screwdriver.
- 9.5 Attach the seal (Q), as shown below.

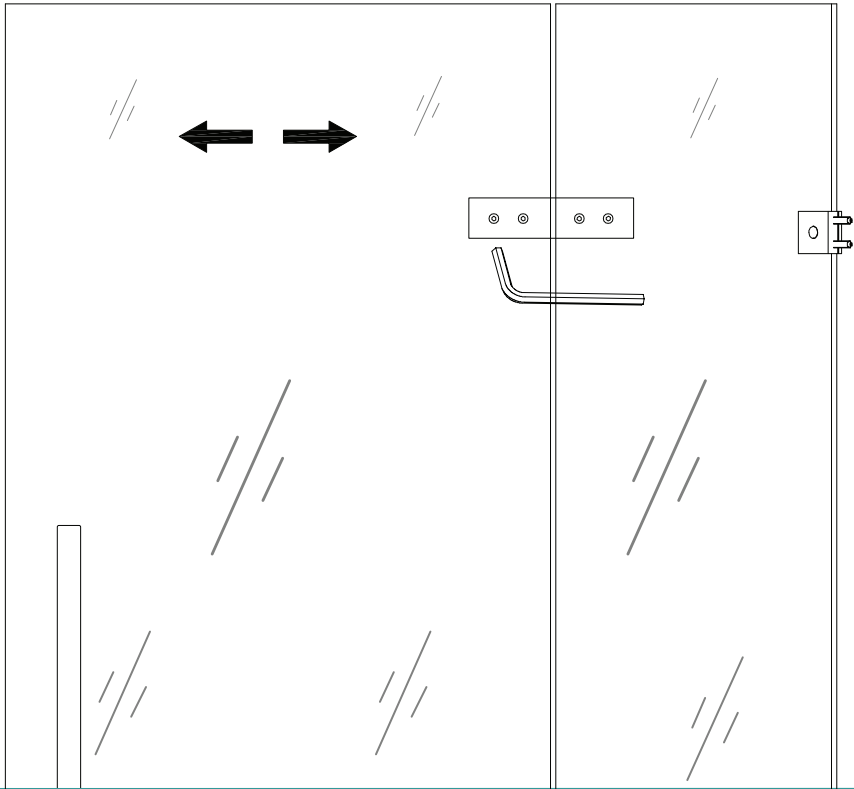




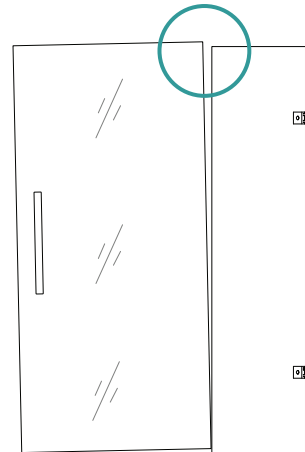
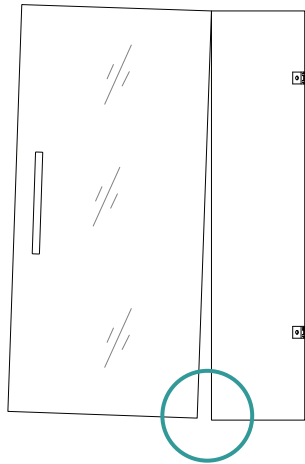
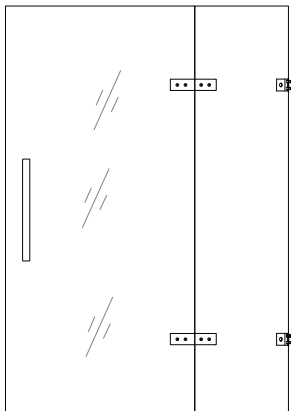
10

SECURING THE GLASS DOOR

Secure the screws on the glass door with the Allen key.



Note: The correct position of the door is shown below:

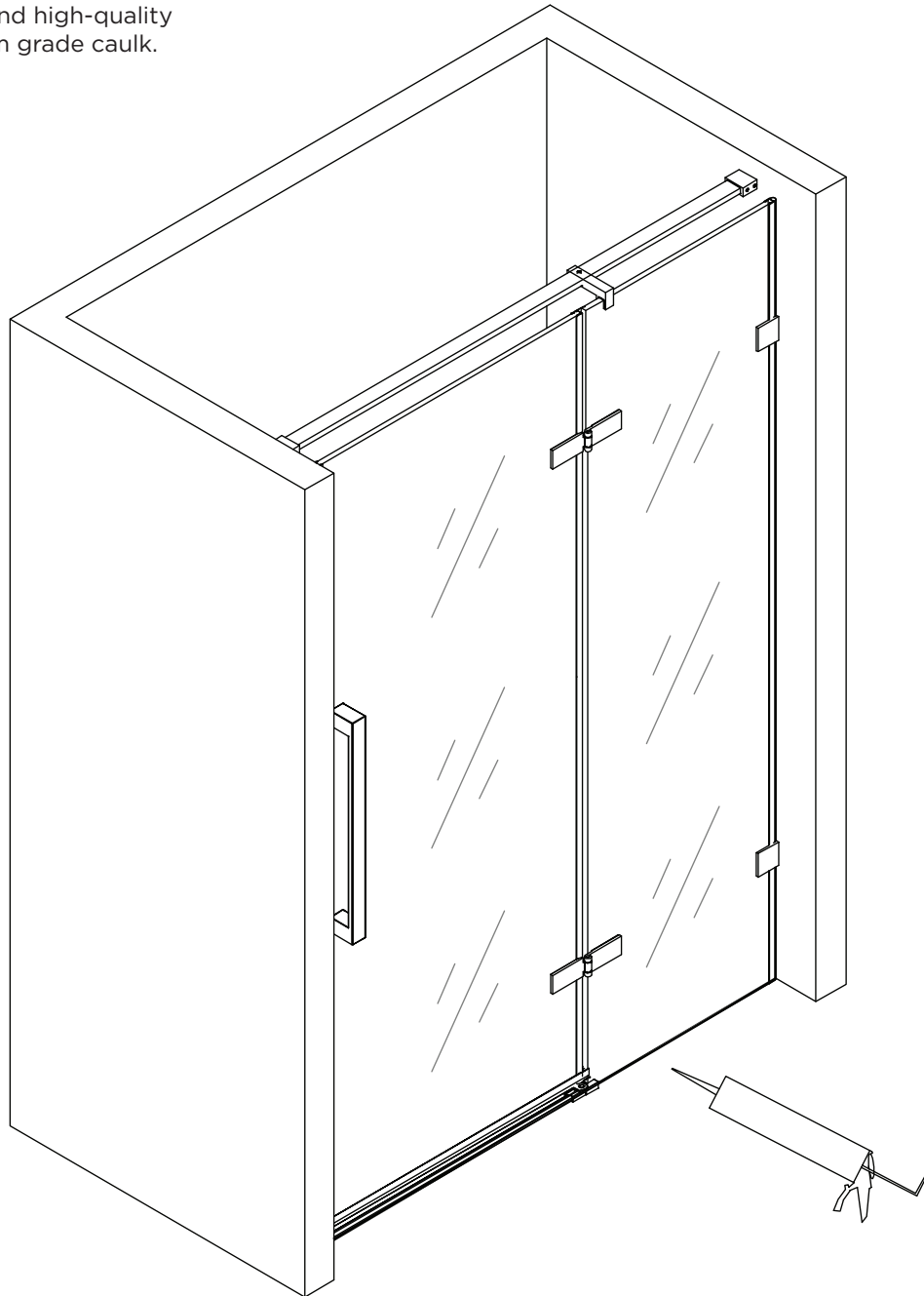




11

COMPLETING THE ASSEMBLY

Secure the seals, panels, and door with caulking gun and high-quality silicone or bathroom grade caulk.

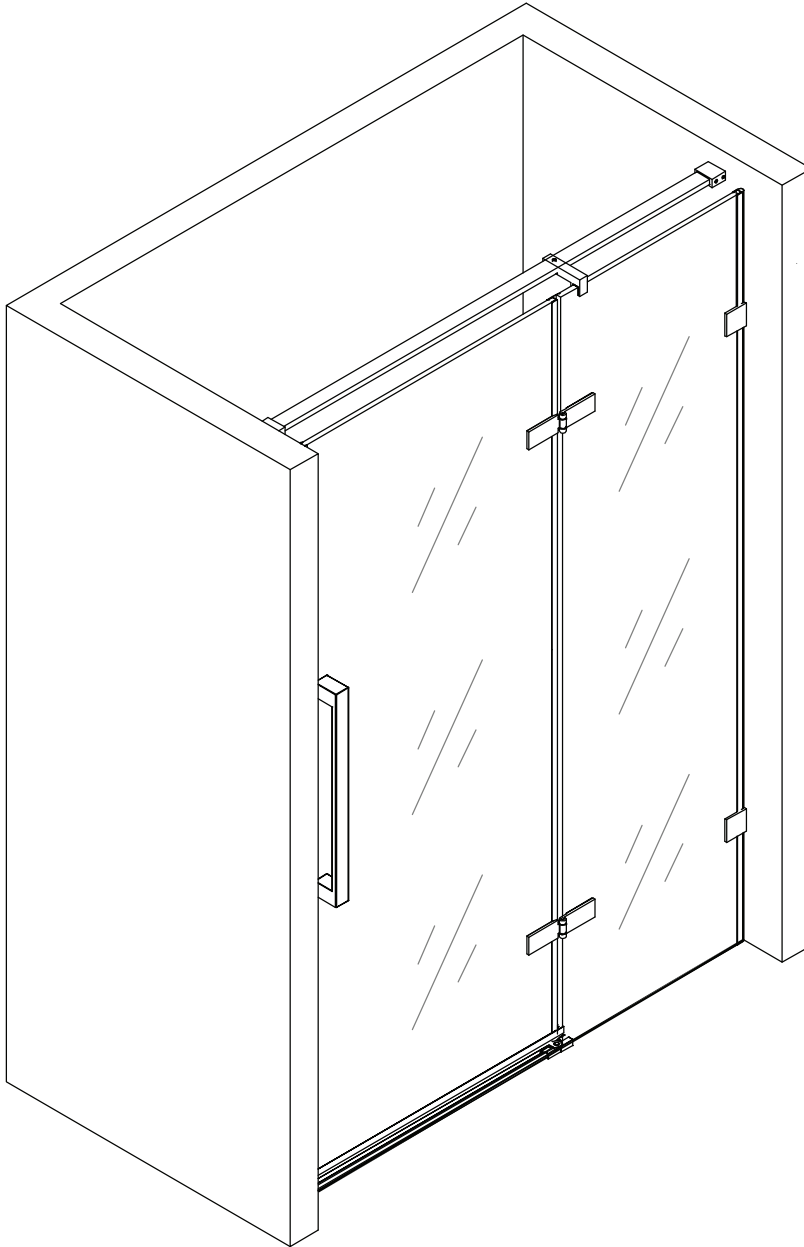




12

DRYING THE DOOR AND PANELS

Leave the shower unused for 24 hours,
so that it can dry completely.



**AFTER
INSTALLATION**



**WAIT 24 HRS
BEFORE USE**



206 WEMBLY ROAD - NEW WINDSOR, NY 12553
P: 718.602.6060 F: 718.963.2082 - E: INFO@FINEFIXTURES.COM
TOLL FREE: 1.877.8FIXTURES

FINEFIXTURES.COM

